

# High Static Pressure Duct

**Model :** ARYG45LHTA / ARYG54LHTA /  
 ARYG45LHTA [3phase] / ARYG54LHTA [3phase] / ARYG60LHTA [3phase]



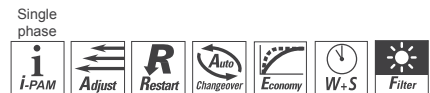
ARYG45/54LHTA



ARYG60LHTA



Wired R.C.



## Features

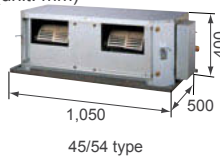
### High energy efficiency

Significantly greater efficiency is realized by using all DC inverter technology. (60 type)

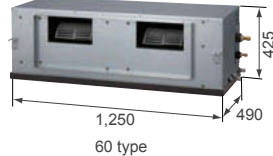
### Easy installation (Compact size & Lightweight)

A compact size and lightweight indoor unit has been developed by reducing the basic chassis and the overall material weight.

(unit: mm)

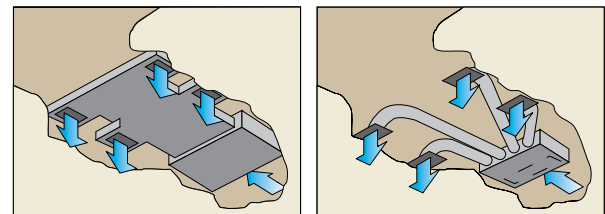
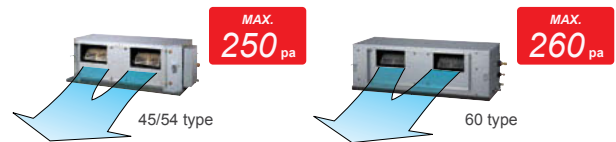


45/54 type



60 type

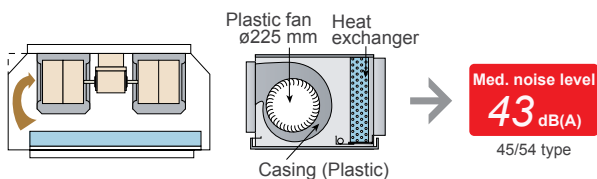
### Design also corresponding to high static pressure



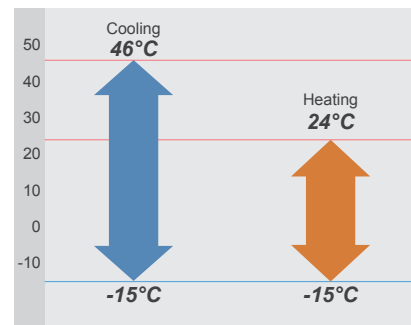
### Low noise

#### Indoor unit

Cutting off the corners has enabled less turbulent airflow. Low noise is realized by adopting a plastic case and a plastic fan.

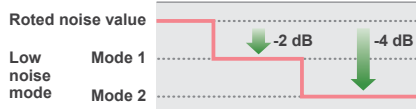


### Low ambient operation



#### Outdoor unit

2 stage low noise mode can be selected. (Option)



### Optional parts

Wired Remote Controller:	UTY-RNNYM, UTY-RVNYM
Simple Remote Controller:	UTY-RSNYM
Long-Life Filter:	UTD-LF60KA (For ARYG45/54LHTA only)
Remote Sensor Unit:	UTY-XSZX
IR Receiver Kit:	UTY-LRHYM (For ARYG60LHTA only)



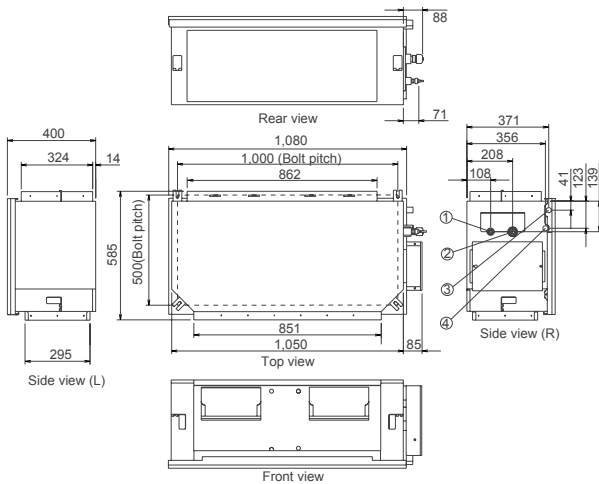
## Specifications

Model No.	Indoor unit		ARYG45LHTA	ARYG54LHTA	ARYG45LHTA	ARYG54LHTA	ARYG60LHTA
	Outdoor unit		AOYG45LETL	AOYG54LETL	AOYG45LATT	AOYG54LATT	AOYG60LATT
Power Source	V/∅/Hz		230/1/50	230/1/50	400/3/50	400/3/50	400/3/50
Capacity	Cooling	kW	12.5 (4.5-14.0)	13.4 (5.0-14.5)	12.5 (5.0-14.0)	14.0 (5.4-16.0)	15.0 (6.2-17.5)
	Heating		14.0 (5.0-16.2)	16.0 (5.5-18.0)	14.0 (5.4-16.2)	16.0 (5.8-18.0)	18.0 (6.2-20.0)
Input Power	Cooling/Heating	kW	4.30/3.80	4.77/4.69	4.06/3.67	4.65/4.37	4.70/5.15
EER	Cooling	W/W	2.91	2.81	3.08	3.01	3.19
COP	Heating		3.68	3.41	3.81	3.66	3.50
Running Current	Cooling/Heating	A	18.9/16.7	20.9/20.5	6.1/5.5	6.9/6.5	6.9/7.6
Moisture Removal	l/h		1.5	2.0	1.5	2.5	2.0
Sound Pressure (Cooling)	Indoor	H/M/L High dB(A)	47/43/40	47/43/40	47/43/40	47/43/40	45/40/36
	Outdoor		55	55	54	55	56
Airflow Rate (High)	Indoor / Outdoor	m³/h	3350/6750	3350/6750	3350/6750	3350/6900	3550/6900
Static pressure range (Standard)	Pa		100 to 250 (100)	100 to 250 (100)	100 to 250 (100)	100 to 250 (100)	60 to 260 (60)
	mm		400x1050x500	400x1050x500	400x1050x500	400x1050x500	425x1250x490
Net Dimension H x W x D	Indoor	kg(lbs)	46 (101)	46 (101)	46 (101)	46 (101)	54 (119)
		mm	1290x900x330	1290x900x330	1290x900x330	1290x900x330	1290x900x330
		kg(lbs)	86 (189)	86 (189)	104 (229)	104 (229)	104 (229)
Piping Connections (Small / Large)	mm		9.52/15.88	9.52/15.88	9.52/15.88	9.52/15.88	9.52/15.88
	mm		23.4/25.4	23.4/25.4	23.4/25.4	23.4/25.4	23.4/25.4
Drain Hose Diameter (I.D./O.D.)	mm		23.4/25.4	23.4/25.4	23.4/25.4	23.4/25.4	23.4/25.4
Max Pipe Length (Pre-Charge)	m		50 (20)	50 (20)	75 (30)	75 (30)	75 (30)
Height Difference	mm		30	30	30	30	30
Operation Range	Cooling	°CDB	-15 to 46	-15 to 46	-15 to 46	-15 to 46	-15 to 46
	Heating		-15 to 24	-15 to 24	-15 to 24	-15 to 24	-15 to 24
Refrigerant			R410A	R410A	R410A	R410A	R410A

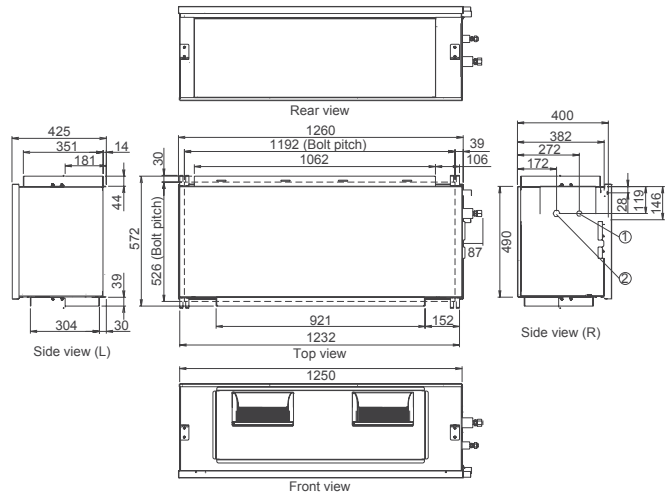
## Dimensions Models : ARYG45LHTA / ARYG54LHTA / ARYG60LHTA

(Unit : mm)

### Model: ARYG45LHTA / ARYG54LHTA



### Model: ARYG60LHTA



- ① Refrigerant piping flare connection (Liquid)    ③ Drain piping connection (Safety drain pan)  
 ② Refrigerant piping flare connection (Gas)    ④ Drain piping connection (Main drain pan)