

Energy Recovery Ventilator

Suppresses indoor temperature changes while providing fresh air

High efficiency and low noise are achieved using a highly efficient element. Comfortable air-conditioned environment is provided by effectively determining whether to use heat-exchange ventilation or normal ventilation while meeting diverse needs.



Energy saving ventilation

Thanks to efficient recovery of thermal energy lost during Ventilation, you can save an air-conditioning fee.

Facility saving

Thanks to a drastic reduction of load incurred by outside air, you can make air-conditioners more compact in parallel with the recovery of thermal energy.

Humidity adjusting effect

*In a cooling mode, a highly humid open-air is brought near to a dehumidified room atmosphere and then supplied.
In a heating mode, a room humidity is transferred to the dry outside air and then supplied.*

Sound shield effect

The ducts of the unit and the heat exchange element are characteristic of sound shield effect, so that the office and store environment can be preserved.



More Comfortable Air Conditioning
Energy Recovery Ventilator



Energy Recovery Ventilator

Energy recovery ventilator unit offers maximum comfort and greater energy savings.



UTZ-BX025A



UTZ-BX035A



UTZ-BX050A

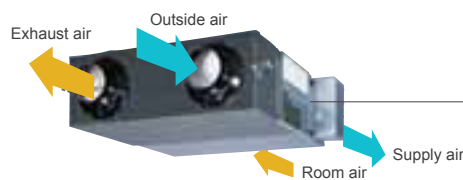


UTZ-BX080A



UTZ-BD100A

Adopts a highly efficient counter-flow heat exchange element



Heat exchange ventilation and normal ventilation

Heat exchange ventilation

When a room is cooled or heated, the exhausted cooling / heating energy is recovered by heat-exchange ventilation.

Normal ventilation

This is used in the spring and autumn, when rooms are not cooled or heated, that is, when there is little difference between the indoor and outdoor air conditions. In addition, at night during the hot season, when the outside air temperature drops the outside air is drawn inside without heat exchange, alleviating the load on the air conditioning equipment.

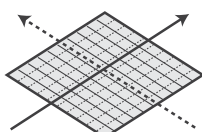
High Efficiency

Energy efficiency and ecology

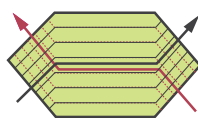
20%
Energy saving

Energy consumption is dramatically reduced by using a counterflow heat-exchange element. Air conditioning load is reduced by approximately 20%, resulting in significant energy savings. Recovers up to 77% of the heat in the outgoing air.

Features of heat exchange element



Other element
(Cross-flow element)



Fujitsu element
(Counter-flow element)

With the cross-flow element, air moves in a straight line across the element. With the counter-flow element, air flows through the element for a longer time (longer distance), so the heat-exchange effect remains unchanged.

More Comfort

Quiet operation

Significantly reducing low pressure loss and noise allows low-noise operation of 32 dB (High) or less for models with a capacity of 500 m³/h or less, and 37.5 dB (High) for models with a capacity of 1,000 m³/h.

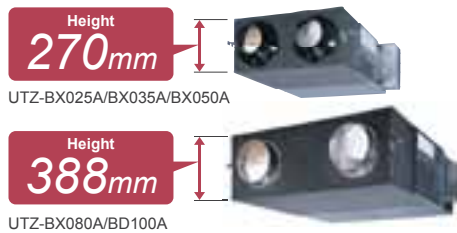
Long heat-exchanger service life

Cleaning reduced due to the special material heat exchanger. The nylon/polyester fibre filter offers high dust retention capacity.

Easy Installation and Maintenance

Slim shape and easier installation

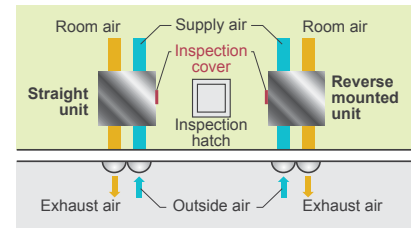
Counter-flow heat exchange element used for reduced noise and slimmer, more compact body shape.



Reverse mountable direct air supply / exhaust system

Adoption of straight air supply / exhaust system: Duct design is simplified because the air supply / exhaust ducts are straight.

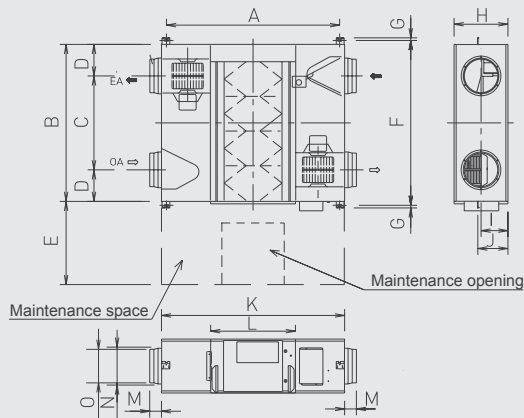
Since each unit can be mounted in reverse position, only one inspection hole is needed for two units: Two units can share one inspection hole so duct work is easier and more flexible.



Dimensions

Models: UTZ-BX025A / UTZ-BX035A / UTZ-BX050A / UTZ-BX080A / UTZ-BD100A

(Unit : mm)



	UTZ-BX025A	UTZ-BX035A	UTZ-BX050A	UTZ-BX080A	UTZ-BD100A
A	810	810	890	1,250	1,250
B	599	804	904	884	1,134
C	315	480	500	428	678
D	142	162	202	228	228
E	600	600	600	600	600
F	655	860	960	940	1,190
G	19	19	19	19	19
H	270	270	270	388	388
I	135	145	145	194	194
J	159	159	159	218	218
K	882	882	962	1,322	1,322
L	414	414	414	612	612
M	95	95	107	85	85
N	219	219	246	258	258
O	144	144	194	242	242

Specifications

Rated flow rate			250 m ³ /h	350 m ³ /h	500 m ³ /h	800 m ³ /h	1000 m ³ /h	
Model No.			UTZ-BX025A	UTZ-BX035A	UTZ-BX050A	UTZ-BX080A	UTZ-BD100A	
Power source			220-240V , 50Hz					
HEAT EXCHANGE VENTILATION	Input power	(Extra high)/High/Low	W	119 / 99 / 79	154 / 124 / 117	214 / 169 / 151	347 / 309 / 302	445 / 360 / 332
	Air flow rate	(Extra high)/High/Low	m ³ /h	250 / 250 / 170	350 / 350 / 280	500 / 500 / 370	800 / 800 / 650	1,000 / 1,000 / 810
	External static pressure	(Extra high)/High/Low	Pa	90 / 80 / 37	95 / 65 / 42	105 / 70 / 38	140 / 110 / 70	90 / 55 / 35
	Temperature Exchange Efficiency	(Extra high)/High/Low	%	75 / 75 / 77	75 / 75 / 77	75 / 75 / 77	75 / 75 / 76	75 / 75 / 76
	Energy Exchange Efficiency Cooling	(Extra high)/High/Low	%	63 / 63 / 66	66 / 66 / 69	62 / 62 / 67	65 / 65 / 68	65 / 65 / 68
	Energy Exchange Efficiency Heat pump	(Extra high)/High/Low	%	70 / 70 / 73	69 / 69 / 71	67 / 67 / 71	71 / 71 / 74	71 / 71 / 73
NORMAL VENTILATION	Sound pressure level	(Extra high)/High/Low	dB*	28 / 26 / 21	32 / 29 / 25	34 / 31 / 25	38 / 36.5 / 32	37.5 / 36 / 31
	Input power	(Extra high)/High/Low	W	119 / 98 / 79	151 / 119 / 113	210 / 161 / 145	337 / 300 / 297	438 / 358 / 329
	Air flow rate	(Extra high)/High/Low	m ³ /h	250 / 250 / 170	350 / 350 / 280	500 / 500 / 370	800 / 800 / 650	1,000 / 1,000 / 810
	External static pressure	(Extra high)/High/Low	Pa	90 / 80 / 37	95 / 65 / 42	105 / 70 / 38	140 / 110 / 70	90 / 55 / 35
	Sound pressure level	(Extra high)/High/Low	dB*	27 / 26.5 / 21.5	31 / 30 / 26	34 / 32 / 26.5	38.5 / 37 / 33	38 / 36.5 / 31.5
	Dimensions	W×D×H	mm	882×599×270	882×804×270	962×904×270	1,322×884×388	1,322×1,134×388
Weight		kg	29	37	43	71	83	
Outlet duct diameter		mm	150	150	200	250	250	
Operation range		°C	-10 to 40	-10 to 40	-10 to 40	-10 to 40	-10 to 40	
Maximum humidity		%	85	85	85	85	85	

* The noise level must be measured 1.5 m below the centre of the unit.